






# SWB316/4

-  **3-Cable Wide Band Multiswitch**
-  **DC Power Connector**
-  **Legacy/SCR-dCSS Auto-Detection**
-  **16 User Band for each output**
-  **Very Low Consumption**

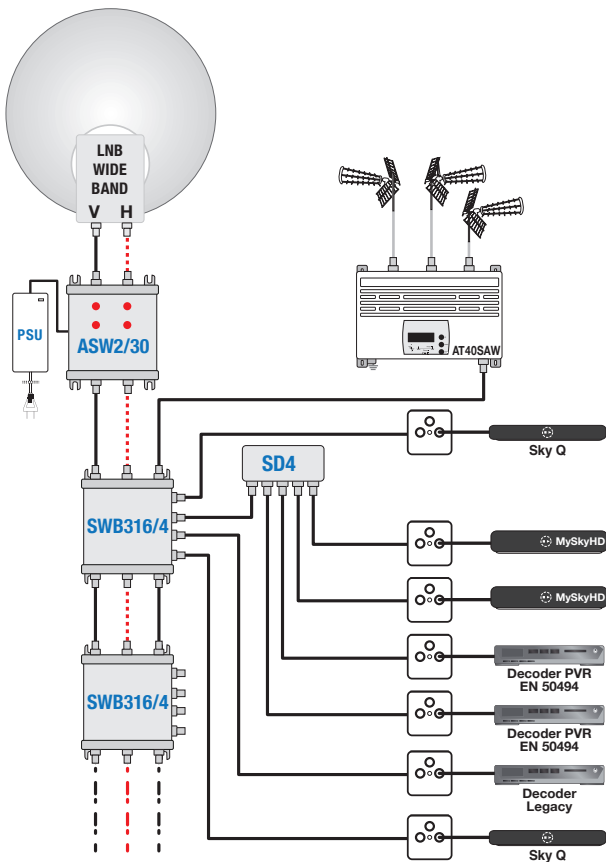
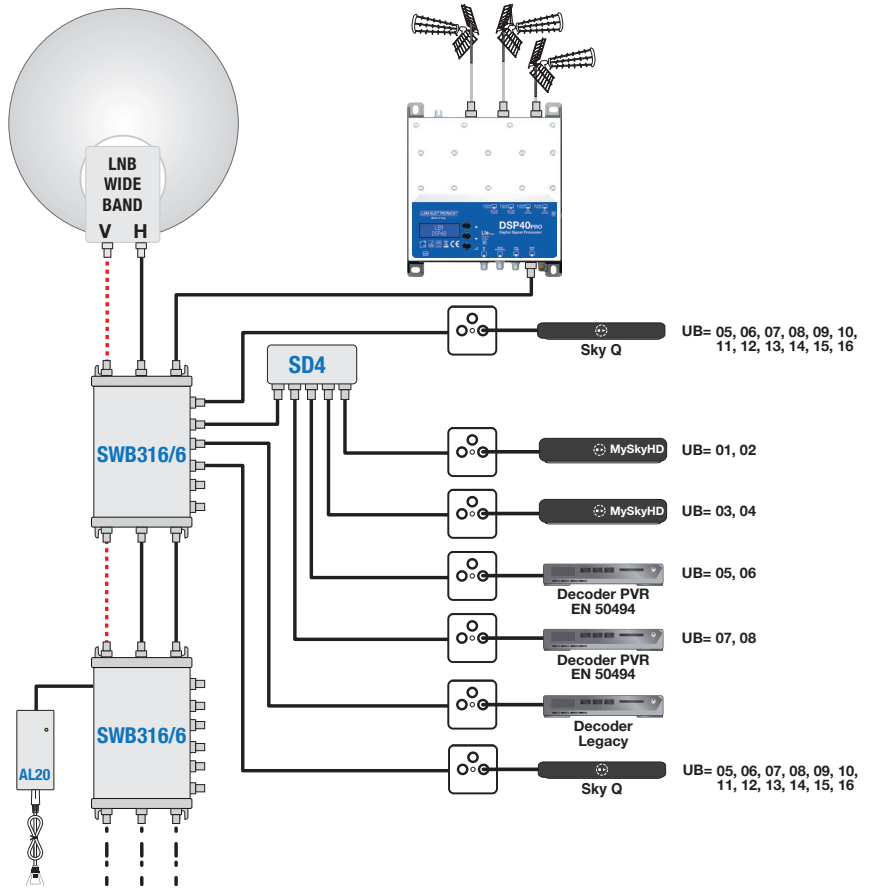







Designed for  
**4K HD**

**WIDEBAND  
MULTISWITCH**






**5**  
WARRANTY YEARS

| MODEL   |        | SWB316/4  |
|---|--------|---|
| TYPE  |        | Cascadable  |
| INPUTS / OUTPUTS TRUNK                        |        | 3 / 3   |
| OUTPUT/TAPS                                   |        | 4   |
| SATELLITE TRUNK LINES FREQ. RANGE             | MHz    | 250... 2400   |
| SATELLITE TRUNK LOSS                          | dB     | ≤ 2   |
| SATELLITE INPUTS POWER LEVEL RANGE            | dBµV   | 60... 100   |
| SATELLITE A.C.G. POWER LEVEL RANGE            | dBµV   | 60... 90  |
| SATELLITE OUTPUT/TAP FREQ. RANGE              | MHz    | 950... 2150   |
| MAX. LEGACY OUTPUT LEVEL                      | dBµV   | 75  |
| MAX. SCR-dCSS OUTPUT LEVEL                    | dBµV   | 85  |
| TV TERRESTRIAL TRUNK LINE FREQ. RANGE         | MHz    | 5... 790  |
| TV TERRESTRIAL OUTPUT/TAP LOSS                | dB     | - 16  |
| TV TERRESTRIAL TRUNK LOSS                     | dB     | ≤ 2   |
| TV TERRESTRIAL RETURN PATH LOSS               | dB     | - 16  |
| SATELLITE / TV TERRESTRIAL DIPLEXER ISOLATION | dB     | ≥ 50  |
| SCR/dCSS STANDARDS                            |        | Compliant with CENELEC EN50494 (SCR) EN50607 (dCSS) SKY UK DSCR |
| SCR/dCSS USER BANDS                           |        | 16  |
| LEGACY STANDARDS                              |        | 13/18V 22KHz Universal Tone & Voltage                           |
| DiSEqC SIGNALLING                             |        | DiSEqC 1.0 / 2.0 Compliant                                      |
| CROSSPOLARITY ISOLATION                       | dB     | > 30  |
| TRUNK ISOLATION                               | dB     | > 30  |
| PHASE NOISE                                   | dBc/Hz | -90 @ DELTA F=1KHz  |
| RETURN LOSS                                   | dB     | > 12  |
| MAX. POWER CONSUMPTION @ 13V PER OUTPUT       | mA     | 220   |
| LNB MAX CURRENT @ 20V                         | mA     | 300   |
| DIMENSIONS LxHxP                              | mm     | 88x148x36   |



- |   |                            |
|---|----------------------------|
|  | 2-Way Splitter with diodes |
|  | 2-Way Smart Splitter       |
|  | 4-Way Smart Splitter       |
|  | SAT/DVB-T/FM-DAB Radio     |
|  | LNB Power Line             |

# SWB316/6

-  **3-Cable Wide Band Multiswitch**
-  **DC Power Connector**
-  **Legacy/SCR-dCSS Auto-Detection**
-  **16 User Band for each output**
-  **Very Low Consumption**

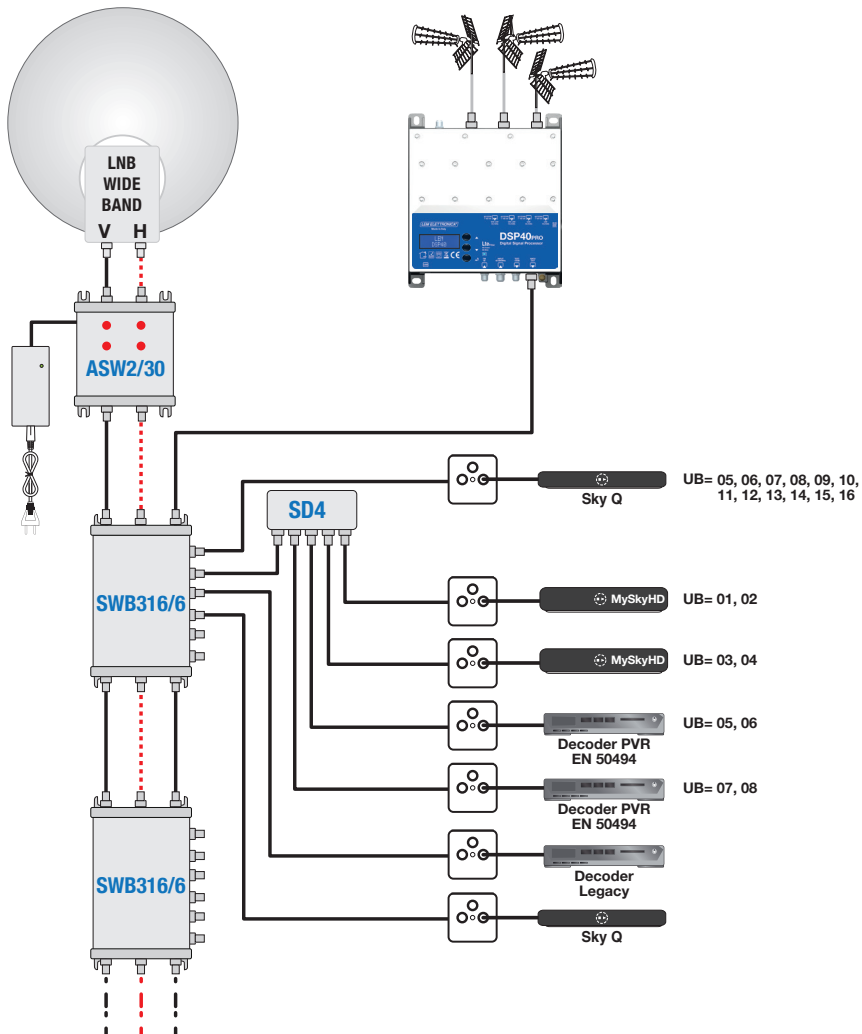
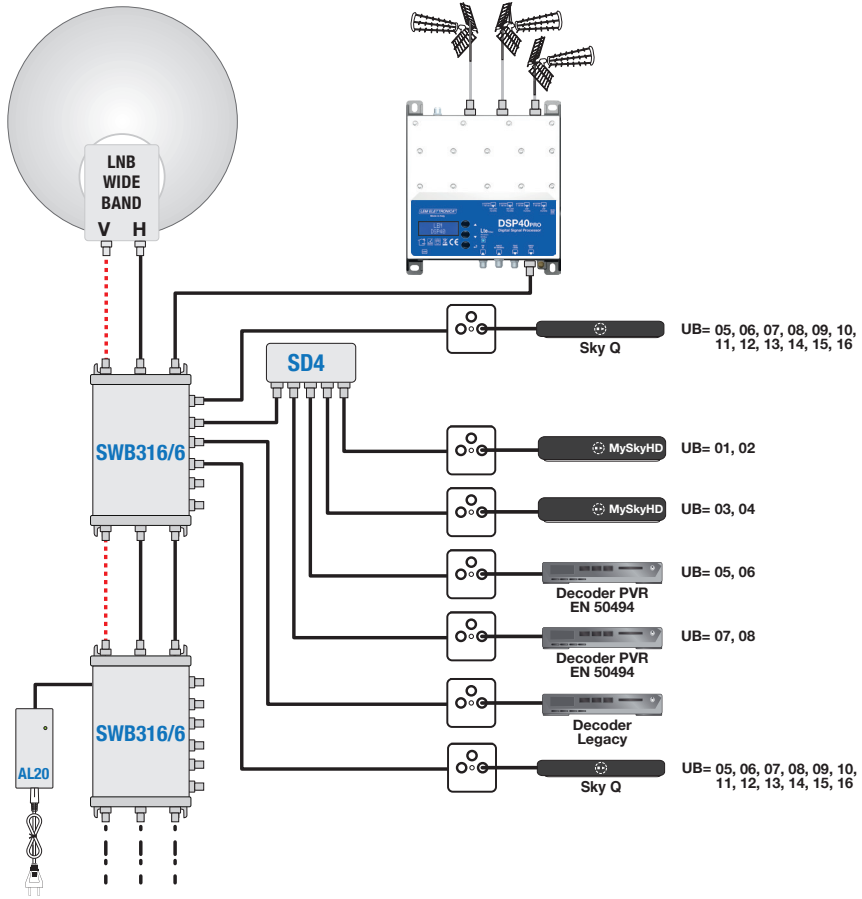







Designed for  
**4K HD**

**WIDEBAND  
MULTISWITCH**






**5**  
WARRANTY YEARS

| MODEL   |        | SWB316/6   |
|---|--------|--|
| TYPE  |        | Cascadable   |
| INPUTS / OUTPUTS TRUNK                        |        | 3 / 3  |
| OUTPUT/TAPS                                   |        | 6  |
| SATELLITE TRUNK LINES FREQ. RANGE             | MHz    | 250... 2400  |
| SATELLITE TRUNK LOSS                          | dB     | ≤ 3  |
| SATELLITE INPUTS POWER LEVEL RANGE            | dBμV   | 60... 100  |
| SATELLITE A.C.G. POWER LEVEL RANGE            | dBμV   | 60... 90   |
| SATELLITE OUTPUT/TAP FREQ. RANGE              | MHz    | 950... 2150  |
| MAX. LEGACY OUTPUT LEVEL                      | dBμV   | 75   |
| MAX. SCR-dCSS OUTPUT LEVEL                    | dBμV   | 85   |
| TV TERRESTRIAL TRUNK LINE FREQ. RANGE         | MHz    | 5... 790   |
| TV TERRESTRIAL OUTPUT/TAP LOSS                | dB     | - 18   |
| TV TERRESTRIAL TRUNK LOSS                     | dB     | ≤ 3  |
| TV TERRESTRIAL RETURN PATH LOSS               | dB     | - 18   |
| SATELLITE / TV TERRESTRIAL DIPLEXER ISOLATION | dB     | ≥ 50   |
| SCR/dCSS STANDARDS                            |        | Compliant with CENELC EN50494 (SCR) EN50607 (dCSS) SKY UK DSCR |
| SCR/dCSS USER BANDS                           |        | 16   |
| LEGACY STANDARDS                              |        | 13/18V 22KHz Universal Tone & Voltage                          |
| DiSEqC SIGNALLING                             |        | DiSEqC 1.0 / 2.0 Compliant                                     |
| CROSSPOLARITY ISOLATION                       | dB     | > 30   |
| TRUNK ISOLATION                               | dB     | > 30   |
| PHASE NOISE                                   | dBc/Hz | -90 @ DELTA F=1KHz   |
| RETURN LOSS                                   | dB     | > 12   |
| MAX. POWER CONSUMPTION @ 13V PER OUTPUT       | mA     | 220  |
| LNB MAX CURRENT @ 20V                         | mA     | 300  |
| DIMENSIONS LxHxP                              | mm     | 88x199x36  |



|   |                            |
|---|----------------------------|
|  | 2-Way Splitter with diodes |
|  | 2-Way Smart Splitter       |
|  | 4-Way Smart Splitter       |
|  | SAT/DVB-T/FM-DAB Radio     |
|  | LNB Power Line             |

# SWB316/8

-  **3-Cable Wide Band Multiswitch**
-  **DC Power Connector**
-  **Legacy/SCR-dCSS Auto-Detection**
-  **16 User Band for each output**
-  **Very Low Consumption**

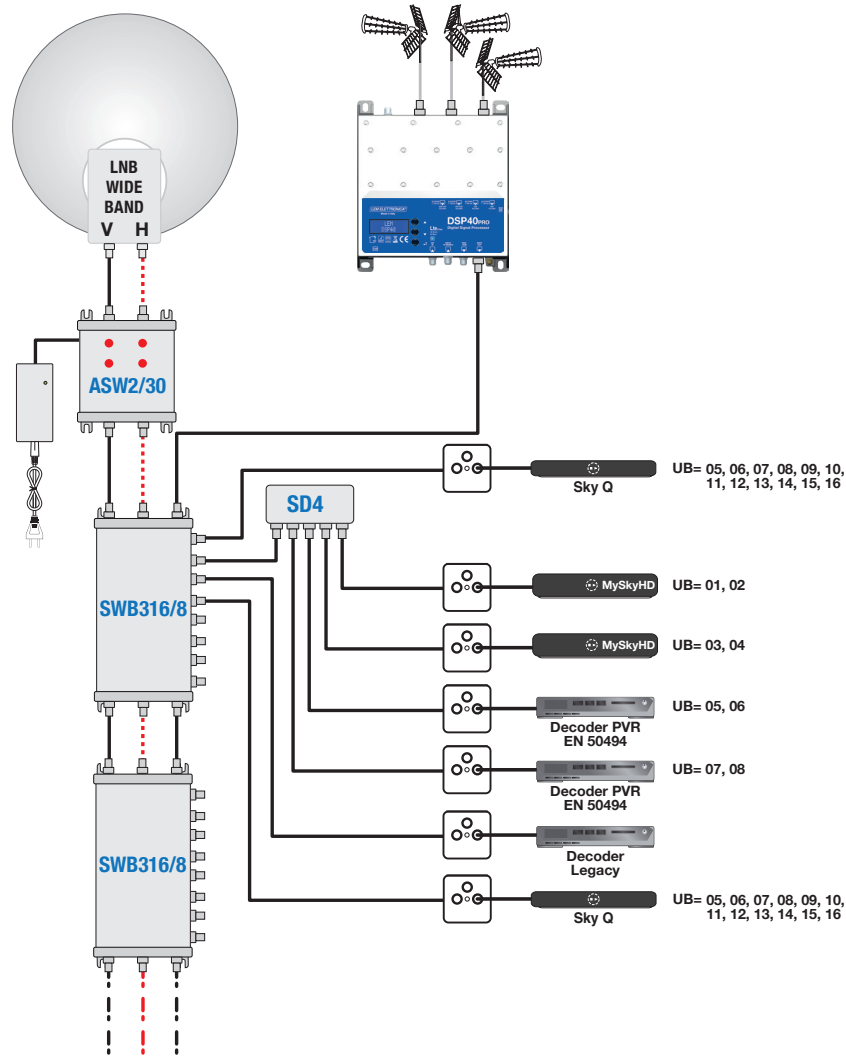
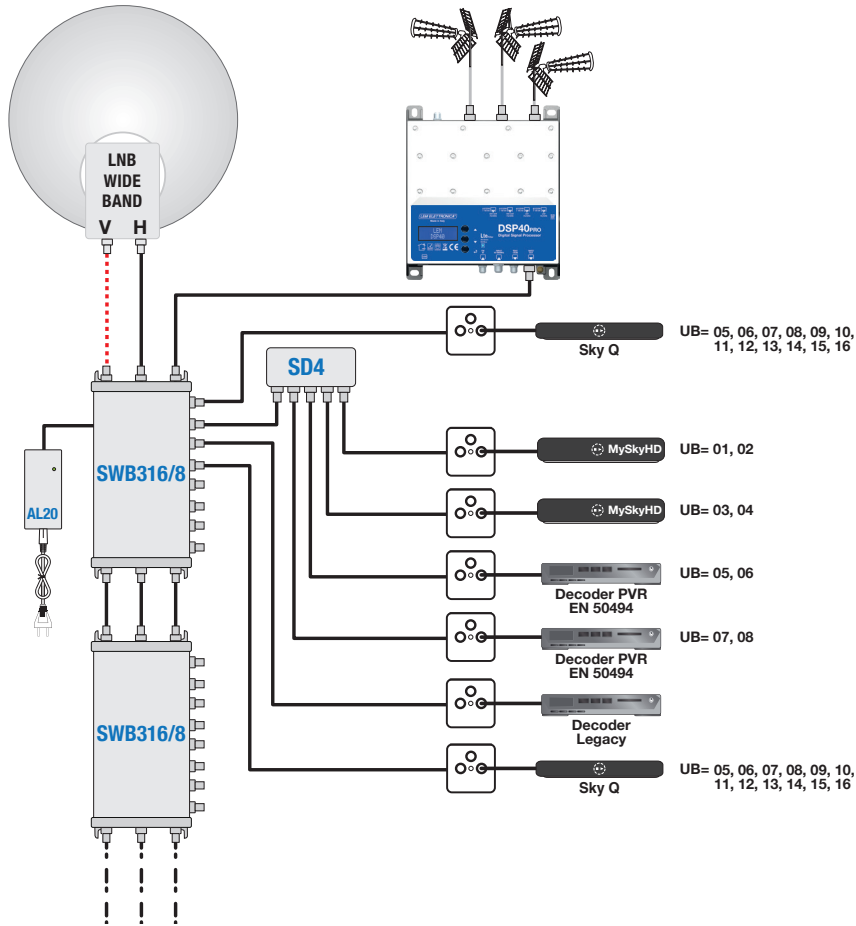





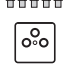

Designed for  
**4K HD**

**WIDEBAND  
MULTISWITCH**

**5**  
WARRANTY YEARS

| MODEL   |        | SWB316/8   |
|---|--------|--|
| TYPE  |        | Cascadable   |
| INPUTS / OUTPUTS TRUNK                        |        | 3 / 3  |
| OUTPUT/TAPS                                   |        | 8  |
| SATELLITE TRUNK LINES FREQ. RANGE             | MHz    | 250... 2400  |
| SATELLITE TRUNK LOSS                          | dB     | ≤ 4  |
| SATELLITE INPUTS POWER LEVEL RANGE            | dBμV   | 60... 100  |
| SATELLITE A.C.G. POWER LEVEL RANGE            | dBμV   | 60... 90   |
| SATELLITE OUTPUT/TAP FREQ. RANGE              | MHz    | 950... 2150  |
| MAX. LEGACY OUTPUT LEVEL                      | dBμV   | 75   |
| MAX. SCR-dCSS OUTPUT LEVEL                    | dBμV   | 85   |
| TV TERRESTRIAL TRUNK LINE FREQ. RANGE         | MHz    | 5... 790   |
| TV TERRESTRIAL OUTPUT/TAP LOSS                | dB     | - 20   |
| TV TERRESTRIAL TRUNK LOSS                     | dB     | ≤ 4  |
| TV TERRESTRIAL RETURN PATH LOSS               | dB     | - 20   |
| SATELLITE / TV TERRESTRIAL DIPLEXER ISOLATION | dB     |  |
| SCR/dCSS STANDARDS                            |        | Compliant with CENELC EN50494 (SCR) EN50607 (dCSS) SKY UK DSCR |
| SCR/dCSS USER BANDS                           |        | 16   |
| LEGACY STANDARDS                              |        | 13/18V 22KHz Universal Tone & Voltage                          |
| DiSEqC SIGNALLING                             |        | DiSEqC 1.0 / 2.0 Compliant                                     |
| CROSSPOLARITY ISOLATION                       | dB     | > 30   |
| TRUNK ISOLATION                               | dB     | > 30   |
| PHASE NOISE                                   | dBc/Hz | -90 @ DELTA F=1KHz   |
| RETURN LOSS                                   | dB     | > 12   |
| MAX. POWER CONSUMPTION @ 13V PER OUTPUT       | mA     | 220  |
| LNB MAX CURRENT @ 20V                         | mA     | 300  |
| DIMENSIONS LxHxP                              | mm     | 88x252x36  |



|   |                            |
|---|----------------------------|
|  | 2-Way Splitter with diodes |
|  | 2-Way Smart Splitter       |
|  | 4-Way Smart Splitter       |
|  | SAT/DVB-T/FM-DAB Radio     |
|  | LNB Power Line             |